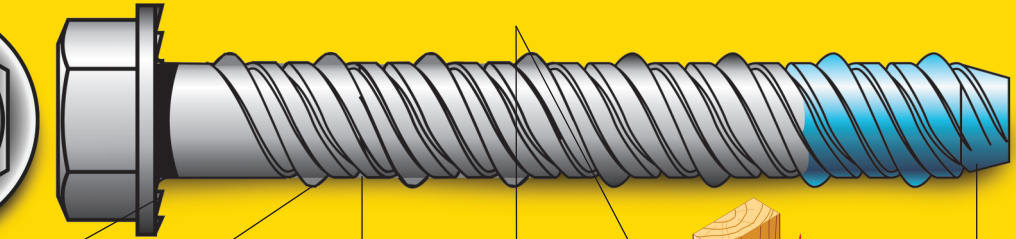


BOTTOM PLATE SOLUTIONS

Now one anchor solution for all 15kN BRACING applications



Blue-Tip
SCREWBOLT™
simple and easy
inspection.

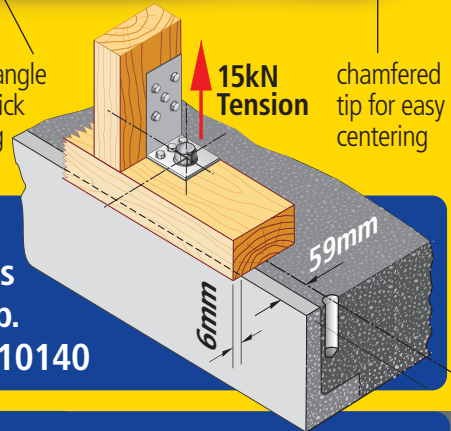


ratchet teeth
for locking
to fixture

reverse parabolic
threads provide
high load
capacity

relief grooves for
low installation
torque providing
dust extraction

30° helix angle
allows quick
tightening



chamfered
tip for easy
centering

BT Screwbolt size BTG10140 10MM X 140MM is a suitable solution for all 15KN BRACING applications for perimeter fixing. Be it header block or solid slab. Detailed performance data is available on the BTG10140

FOR ENQUIRIES CALL NOW 9415 2425
OR EMAIL info@powers.co.nz

 **Powers**®